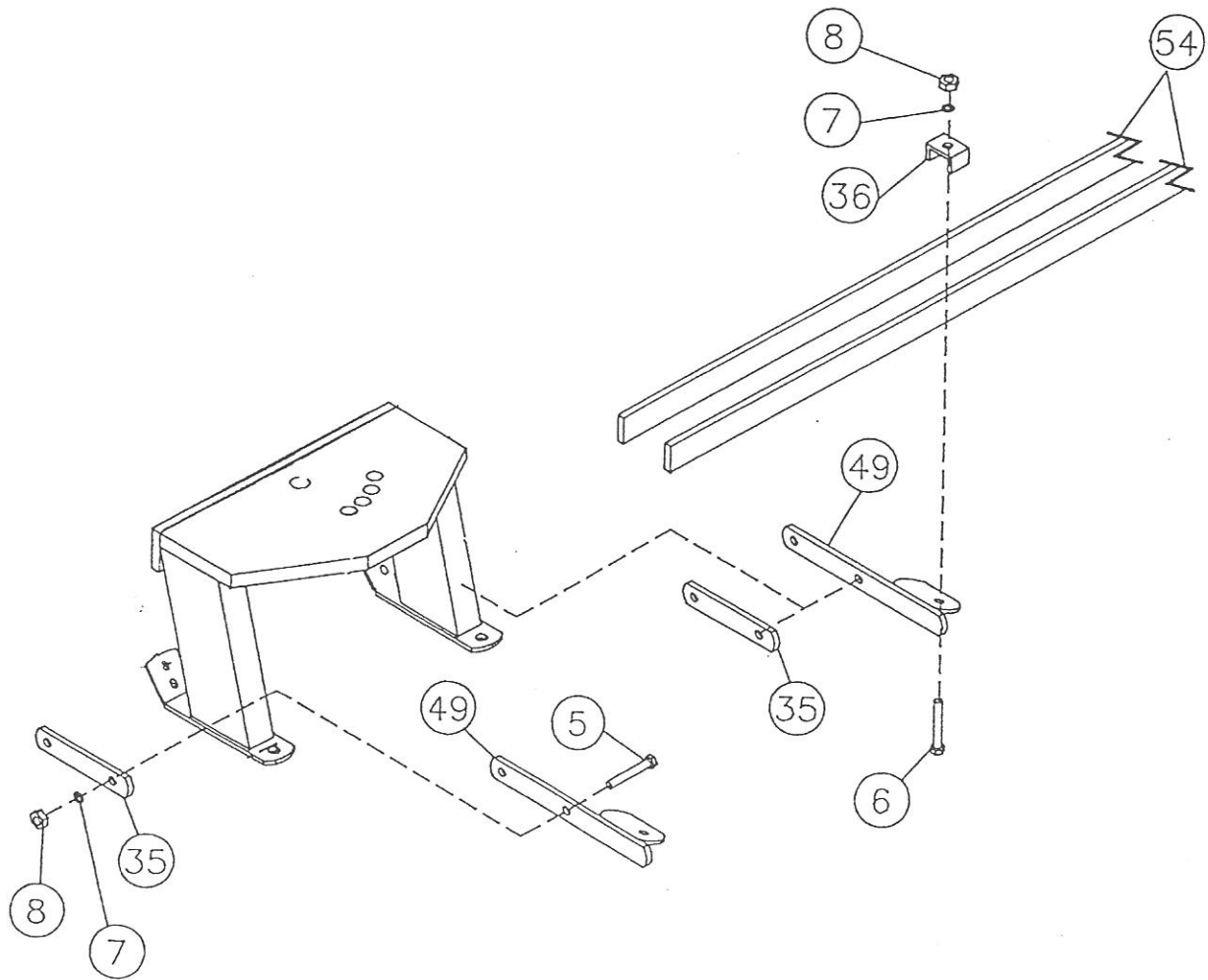


**BUFFALO**  
**MODEL 704 SCRAPER SET**  
704SSET

REF:	PART NO.	DESCRIPTION	QTY
1	CSNC06X24	3/8X1-1/2" GR 5 CAP SCREW NC	16
2	LW06SP	3/8" SPLIT LOCK WASHER PLTD	16
3	NUT06NC	3/8" NC STD NUT PLTD	16
5	CSNC08X56	1/2X3-1/2" GR 5 CAP SCREW NC	8
6	CSNC08X64	1/2X4" GR 5 CAP SCREW NC	12
7	LW08SP	1/2" SPLIT LOCK WASHER PLTD	20
8	NUT08NC	1/2" STD NC PLATED NUT	20
34	7043	LEFT MOUNTING BRACKET	2
35	7045	MOUNTING STRAP	4
36	7041	SCRAPER ARM CLIP	12
38	7042	SCRAPER ARM	8
39	1040	BLADE	8
49	7044	RIGHT MOUNTING BRACKET	2
52	FLTWA06	3/8" FLAT WASHER PLTD	16
54	7047	PARALLEL BAR 4 BLADE, 39"	4

MANUFACTURED BY:  
**NIKKEL IRON WORKS**  
SHAFTER, CA 93263 661/746-4904

MODEL 704 SCRAPER SET  
MOUNTING DIAGRAM



MANUFACTURED BY:  
**NIKKEL IRON WORKS**  
SHAFTER, CA 93263 661/746-4904

# BUFFALO

## MODEL 704 SCRAPER SET

704SSET

