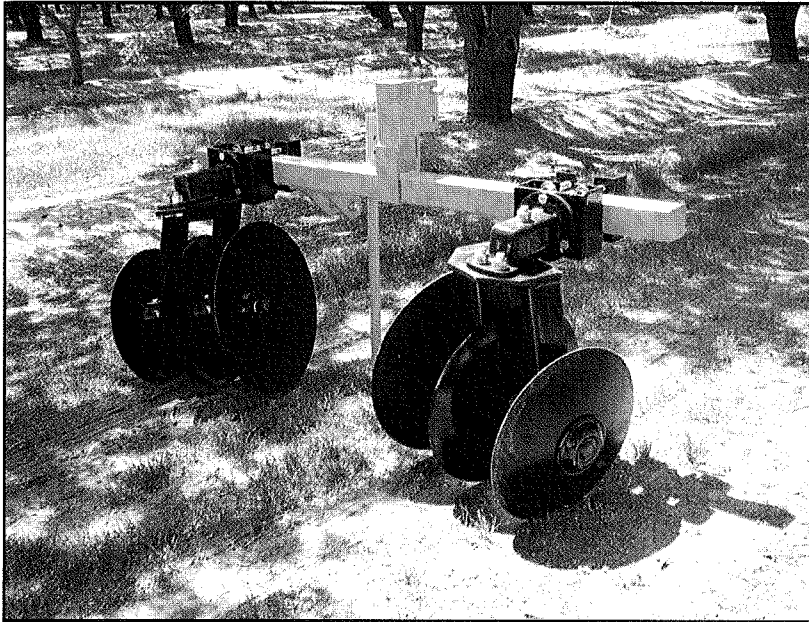


*"Serving The Growers Equipment Needs Since 1923"*



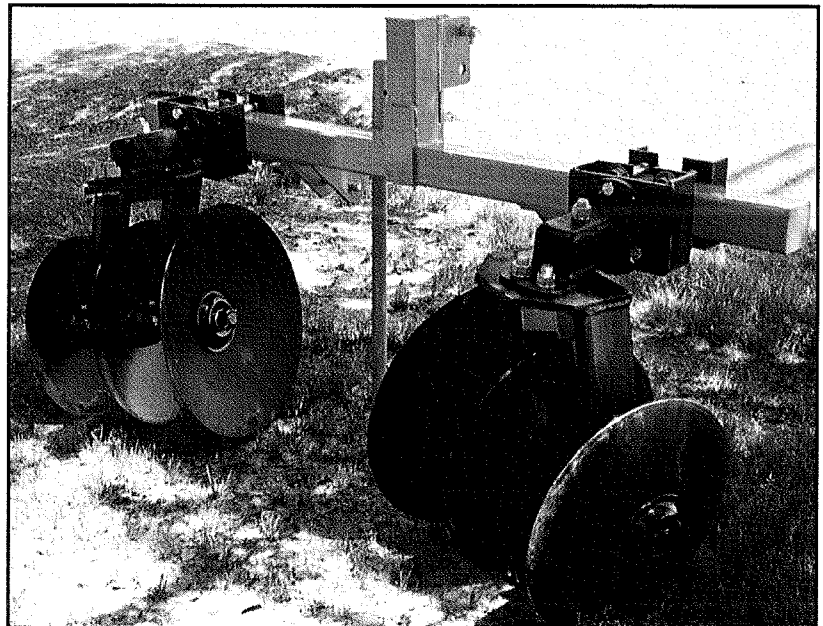
## **BUFFALO DISC RIDGER**



- Easy to Adjust.
- Clean Design.
- Heavy Duty - Ideal for the Buffalo Heavy Duty Border Blocker.

**MODEL 703-3**  
Shown with optional equipment

- 1-1/2" Square Gang Bolts.
- Heavy Pillow Block.  
Triple Sealed Bearings.
- Dirt Shield
- New Ingersoll Dura Tight™  
End Washers for Positive  
Holding of Gang Bolt  
Assembly.

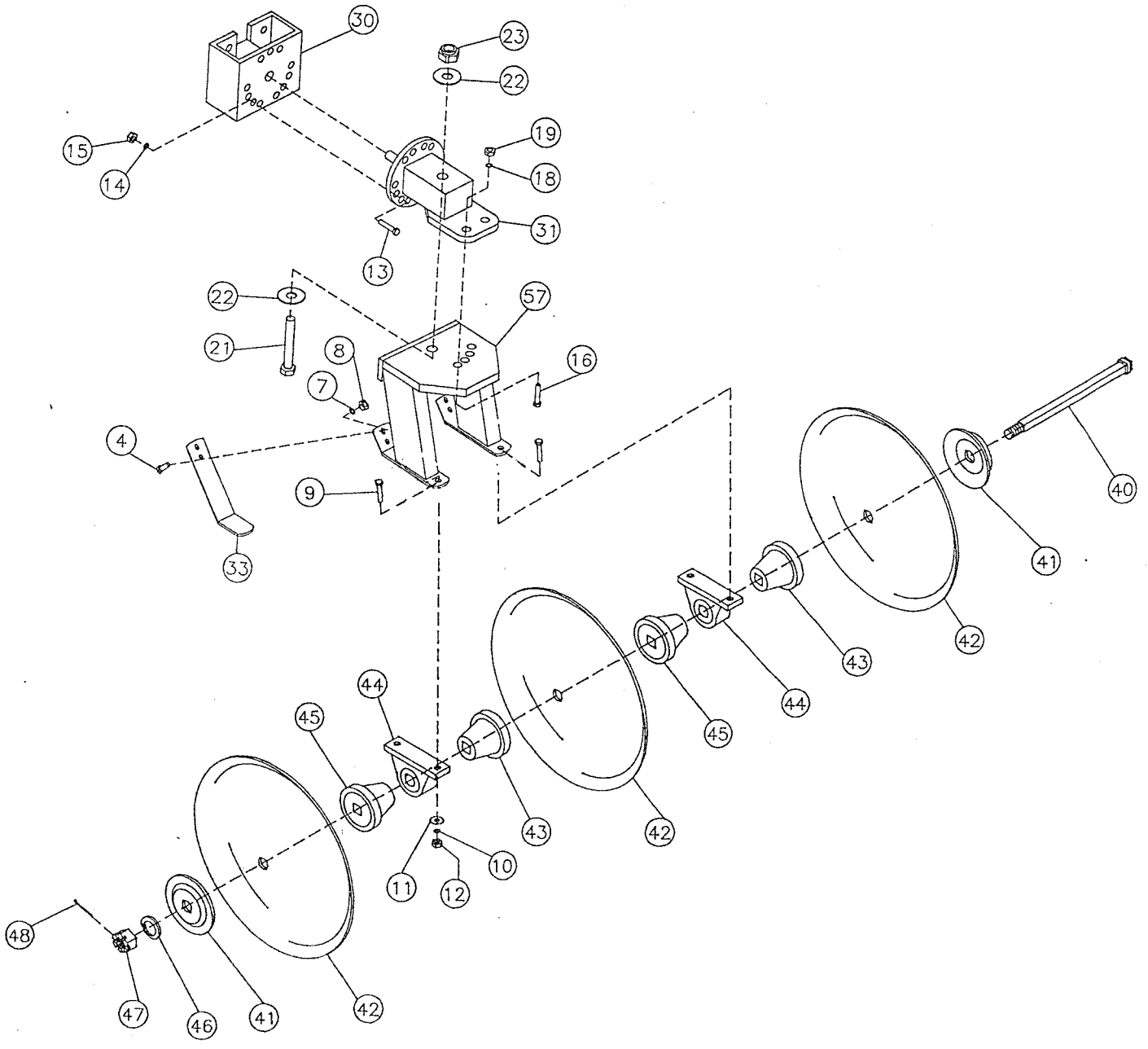


**BUFFALO**  
**MODEL 703 DISC RIDGER**

REF	PART NO	DESCRIPTION
4	CSNC08X24	1/2X1-1/2" NC GR 5 CAP SCREW
7	LW08SP	1/2" SPLIT LOCK WASHER
8	NUT08NC	1/2" NC PLTD HEX NUT
9	CSNC10X40	5/8X2-1/2" NC GR 5 CAP SCREW
10	LW10SP	5/8" SPLIT LOCK WASHER
11	FLTWA10	5/8" FLAT WASHER
12	NUT10NC	5/8" NC PLTD HEX NUT
13	CSNC12X40	3/4X2-1/2" NC GR 5 CAP SCREW
14	LW12SP	3/4" SPLIT LOCK WASHER
15	NUT12NC	3/4" NC PLTD HEX NUT
16	CSNC16X48	1X3" NC GR 5 CAP SCREW
17	CSNC16X112	1"X7" NC GR 5 CAP SCREW
18	LW16SP	1" SPLIT LOCK WASHER
19	NUT16NC	1" NC PLTD HEX NUT
21	CSNC20X112	1-1/4X7" NC GR 5 CAP SCREW
22	G8FLTWA20	1-1/4" HARD WASHER
23	G8NUT20NCLK	1-1/4" GR C LOCK NUT
29	7009	ANGLE CLAMP STRAP
30	7008	BAR BRACKET
31	7007A	CAST ANGLE BASE
32	7006	LEFT SIDE RISER
33	1010	BEARING GUARD
40	1004	GANG BOLT W/NUT & PIN
41	1003	SPRING STEEL END WASHER
42	DISCBLD22	22" DISC BLADE
	DISCBLD24	24" DISC BLADE
	DISCBLD26	26" DISC BLADE
43	1011	CONVEX HALF SPOOL
44	1002	BEARING ASSEMBLY includes 1002A - INSERT 1002B - HOUSING
45	1001	CONCAVE HALF SPOOL
46	LW24SP	1-1/2" SPLIT LOCK WASHER
47	NUT24NCSLT	1-1/2" NC SLOTTED HEX NUT
48	ROLLP04X40	1/4X2-1/2" SPRING PIN
57	7005	RIGHT SIDE RISER
59	1855	CAST BAR CAP
60	CSNC16X160	1X10" NC GR 5 CAP SCREW
61	FLTWA16	1" FLAT WASHER

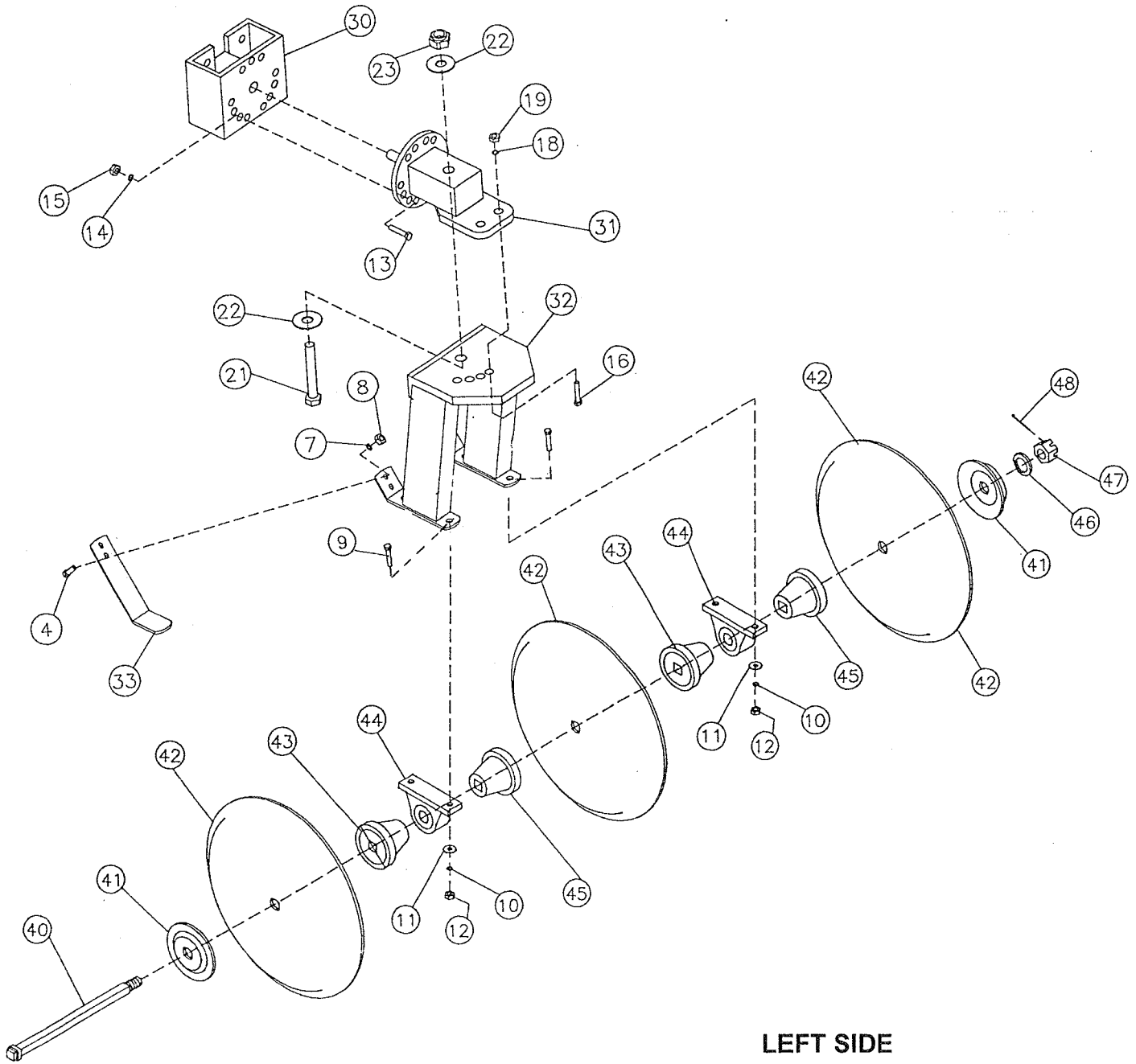
MANUFACTURED BY:  
**NIKKEL IRON WORKS**  
SHAFTER, CA 93263 661/746-4904

# BUFFALO MODEL 703 DISC RIDGER



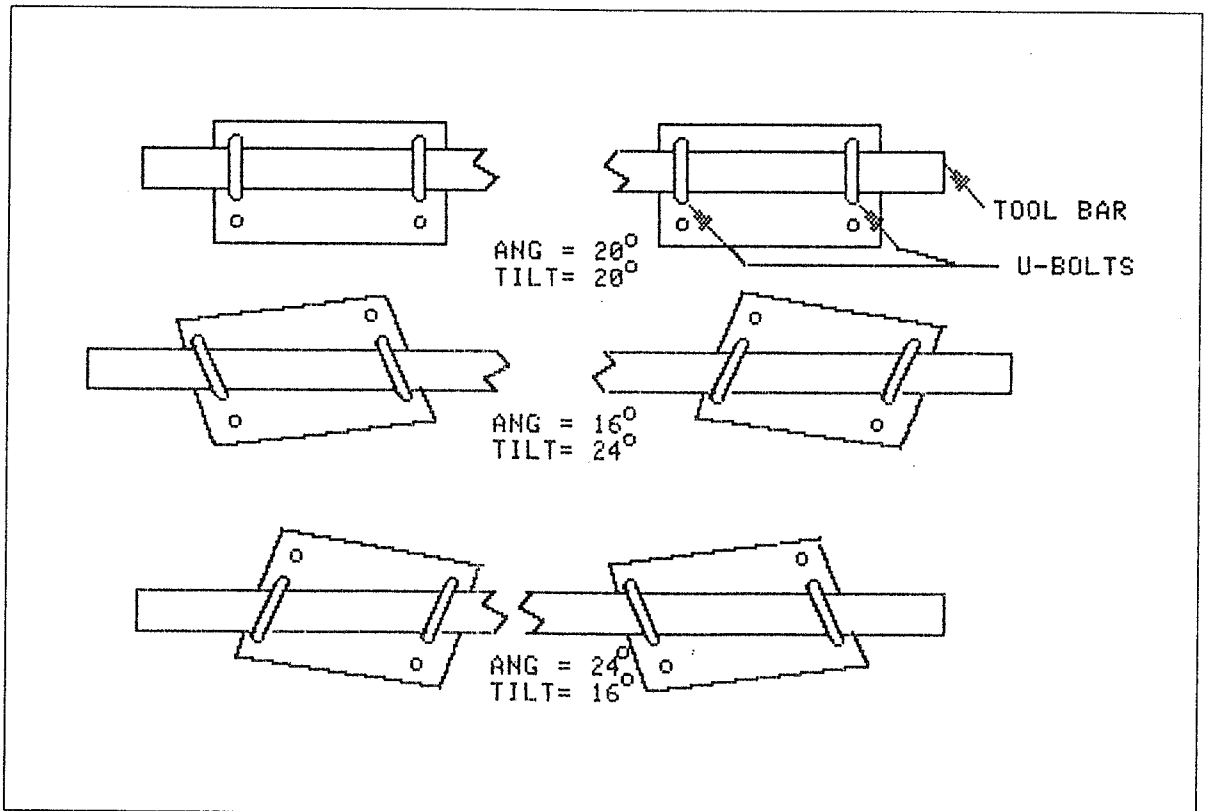
RIGHT SIDE

# BUFFALO MODEL 703 DISC RIDGER



LEFT SIDE

CHANGE ANGLE & TILT WITH TOOL BAR CLAMPS AS SHOWN

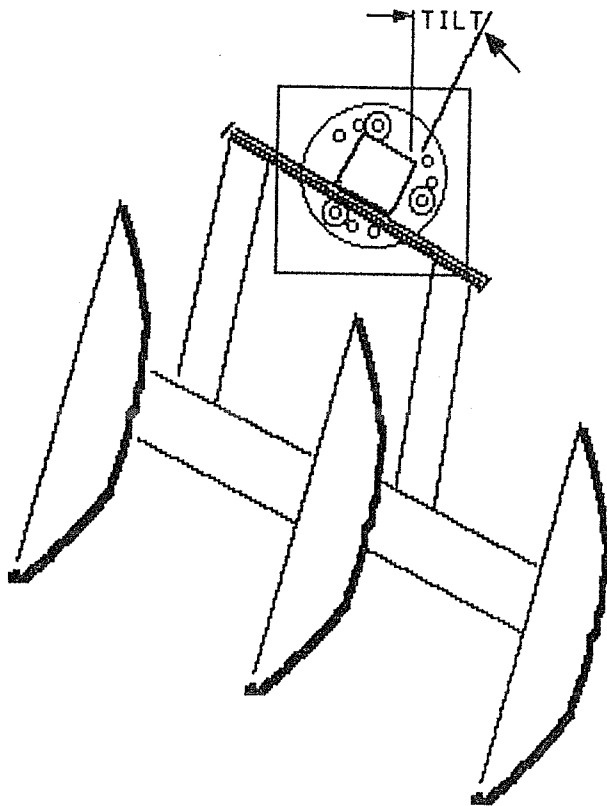


## SETTING ANGLES

INDEX HOLE ADJUSTMENTS ELIMINATE HASSLES OF MAINTAINING DESIRED ANGLES.

CHOOSE FROM 3 ANGLE SETTINGS AND 5 TILT ADJUSTMENTS WITH SPEED AND EASE.

CHART SHOWS POSSIBLE DISC ANGLES FOR EACH TILT SETTING.

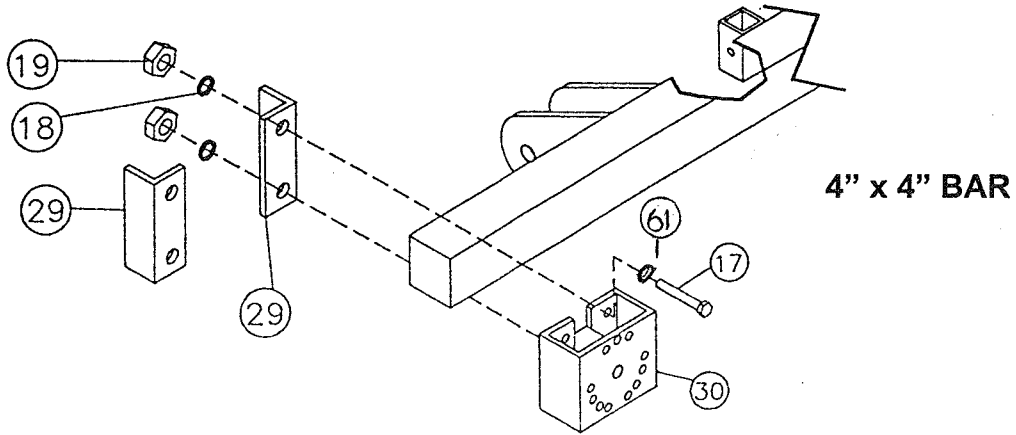


POSSIBLE DISC ANGLES

### TILT SETTINGS

	0°	20°	30°	50°
1	9°	10°	10°	14°
2	21°	22°	24°	31°
3	33°	34°	37°	45°

# BUFFALO OPTIONAL TOOL BARS ( MODEL 703 & 704 )



## TOOL BAR CLAMP 2-1/4" X 2-1/4" BAR

